

ROEQ TR1000 Auto Top Roller solution for MiR600/1350



The ROEQ TR1000 Auto allows you to use your MiR600 and MiR1350 mobile robot to transfer heavy goods between conveyor stations at different heights. It has a built-in lifting mechanism for automatic height adjustments. With a large stroke – 240 mm/9.4” – it gives you the flexibility to adjust to your existing setup. All ROEQ top modules come with ROEQ Assist software for a fast and consistent set-up.

Features

- Height adjustment is automated, so no manual intervention required
- Lifting mechanism adjusts the height automatically
- Features a stroke of 240 mm/9.4”
- Built-in barriers on rollers protect fingers
- The flat top allows transfer of wide loads which extend over the sides. Side bars can be purchased, if required.
- Built-in position sensor confirms correct position of robot before transfer of goods
- Two package function for delivering two packages separately
- Cargo sensors in the front and back ensure safe transfer and transport of cargo
- Compatible with ROEQ GuardCom System for additional safety and quick transfer to/from conveyor stations. Wireless communication without reliance on Wi-Fi
- Long Cargo Kit available for safe transfer of long loads



Two package function

Specifications

Robot compatibility:
MiR600, MiR1350

ROEQ product compatibility:
GuardCom System

Payload on MiR600 / MiR1350:
240 kg (529 lbs) / 990 kg (2183 lbs)

Size: (L x W):
1435 x 1097 mm (56.5x43.2”)

Cargo area:
1320 x 1066 mm / (50.9 x 42”)
Note: Loads can extend over the sides.
Add the Long Cargo Kit for longer loads.

Height from floor to rolls:
563–803 mm (22.2 - 31.6”)

Stroke:
240 mm / (9.4”)

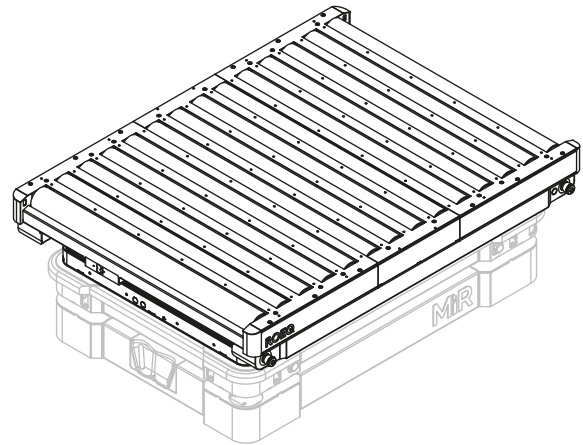
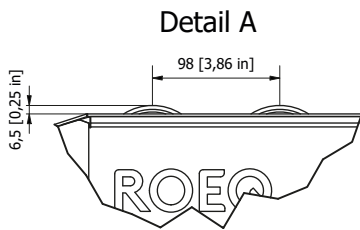
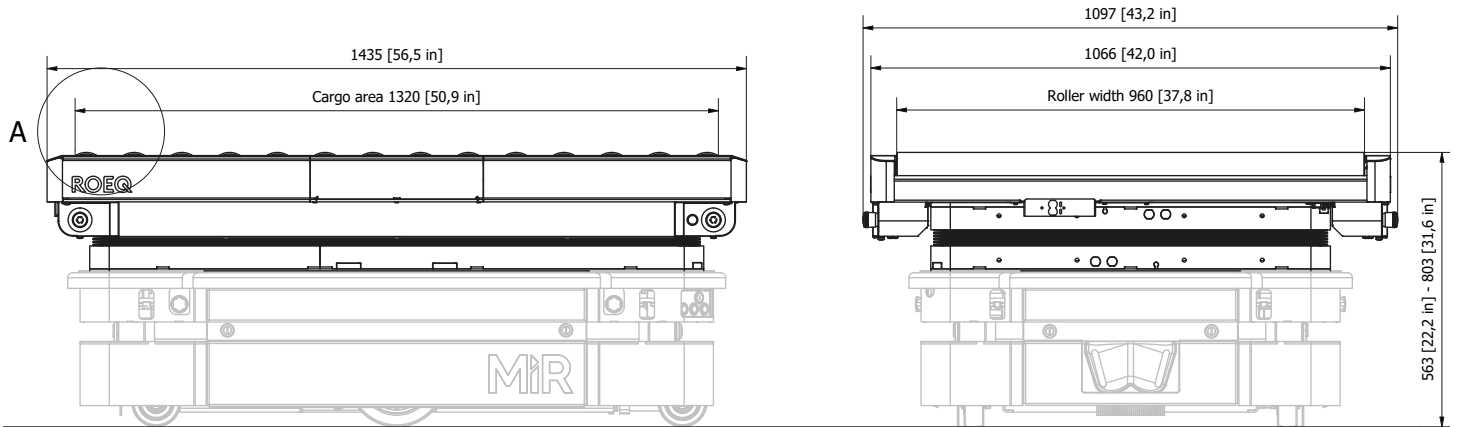
Sensors:
Position sensor and cargo sensors







Specifications and features may change prior to product launch

Use the ROEQ GuardCom to improve cycle time and decrease downtime



ROEQ
ROBOTIC EQUIPMENT



Product no.	Product name	Description	
200s3000	TR1000 Auto	Top roller with auto adjustable height	
273a1000	GuardCom	GuardCom unit to mount on stationary conveyor, for safe transfer of goods	 
273a2000	GuardCom Connect	Communications unit to mount on top rollers. Wireless communication with GuardCom, not using Wi-Fi	
200s4100	Side Bars	For additional safety.	
200s4200	Long Cargo Kit	For safe transfer of long cargo	

[Visit roeq.dk](https://www.roeq.dk)